



TWIN SCREW PUMPS

Алматы (7273)495-231
Ангарск (3955)60-70-56
Архангельск (8182)63-90-72
Астрахань (8512)99-46-04
Барнаул (3852)73-04-60
Белгород (4722)40-23-64
Благовещенск (4162)22-76-07
Брянск (4832)59-03-52
Владивосток (423)249-28-31
Владикавказ (8672)28-90-48
Волгоград (844)278-03-48
Владимир (4922)49-43-18
Вологда (8172)26-41-59
Воронеж (473)204-51-73
Екатеринбург (343)384-55-89

Россия +7(495)268-04-70

Иваново (4932)77-34-06
Ижевск (3412)26-03-58
Иркутск (395)279-98-46
Казань (843)206-01-48
Калининград (4012)72-03-81
Калуга (4842)92-23-67
Кемерово (3842)65-04-62
Киров (8332)68-02-04
Коломна (4966)23-41-49
Кострома (4942)77-07-48
Краснодар (861)203-40-90
Красноярск (391)204-63-61
Курск (4712)77-13-04
Курган (3522)50-90-47
Липецк (4742)52-20-81

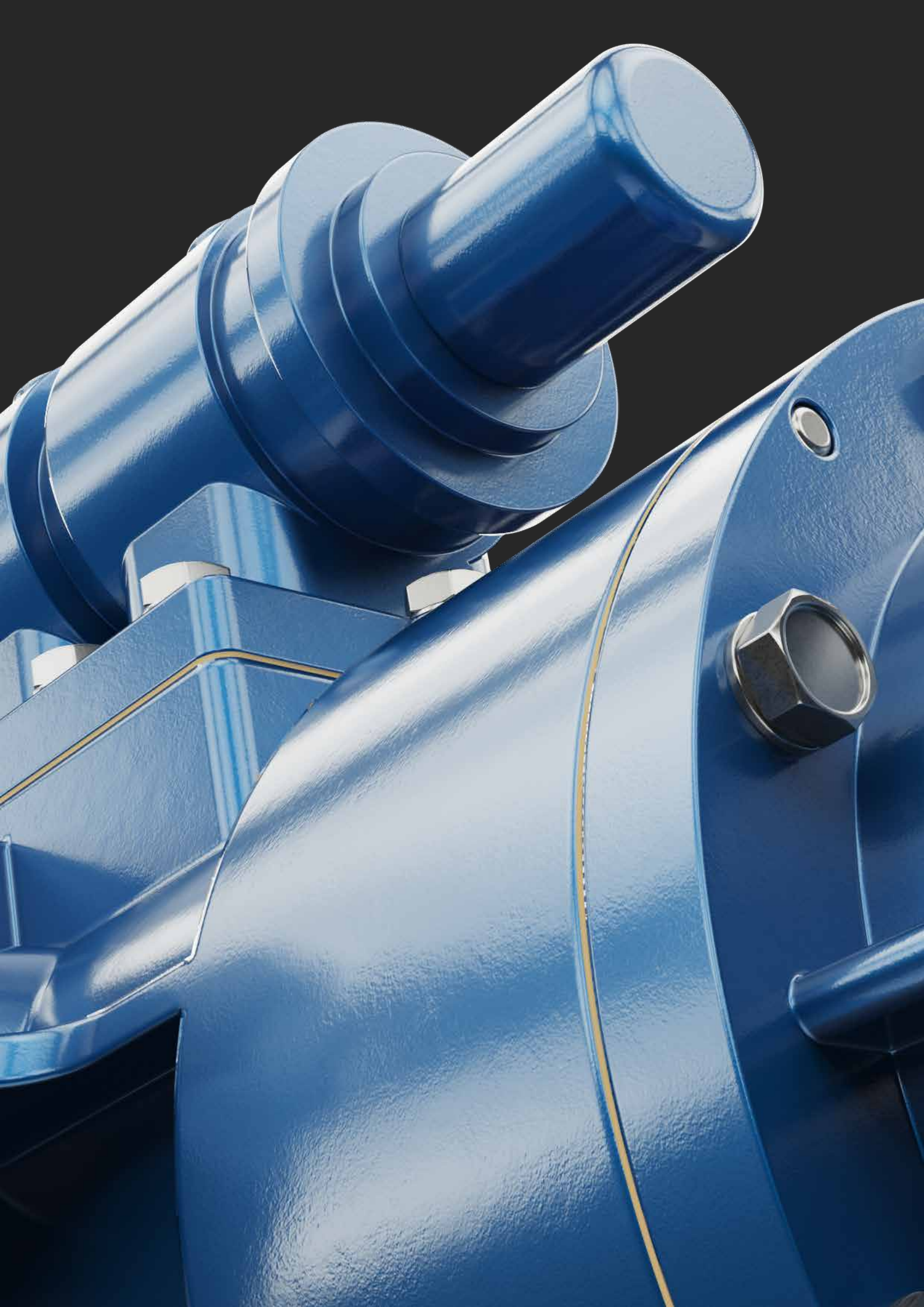
Казахстан +7(7172)727-132

Магнитогорск (3519)55-03-13
Москва (495)268-04-70
Мурманск (8152)59-64-93
Набережные Челны (8552)20-53-41
Нижний Новгород (831)429-08-12
Новокузнецк (3843)20-46-81
Ноябрьск (3496)41-32-12
Новосибирск (383)227-86-73
Омск (3812)21-46-40
Орел (4862)44-53-42
Оренбург (3532)37-68-04
Пенза (8412)22-31-16
Петрозаводск (8142)55-98-37
Псков (8112)59-10-37
Пермь (342)205-81-47

Киргизия +996(312)96-26-47

Ростов-на-Дону (863)308-18-15
Рязань (4912)46-61-64
Самара (846)206-03-16
Саранск (8342)22-96-24
Санкт-Петербург (812)309-46-40
Саратов (845)249-38-78
Севастополь (8692)22-31-93
Симферополь (3652)67-13-56
Смоленск (4812)29-41-54
Сочи (862)225-72-31
Ставрополь (8652)20-65-13
Сургут (3462)77-98-35
Сыктывкар (8212)25-95-17
Тамбов (4752)50-40-97
Тверь (4822)63-31-35

Тольятти (8482)63-91-07
Томск (3822)98-41-53
Тула (4872)33-79-87
Тюмень (3452)66-21-18
Ульяновск (8422)24-23-59
Улан-Удэ (3012)59-97-51
Уфа (347)229-48-12
Хабаровск (4212)92-98-04
Чебоксары (8352)28-53-07
Челябинск (351)202-03-61
Череповец (8202)49-02-64
Чита (3022)38-34-83
Якутск (4112)23-90-97
Ярославль (4852)69-52-93



ABOUT US



We have been designing and producing various models of pumps to be used in different fields of industry. Experienced in product selection and production, our staff renders the services which meet the requirements of the industrial enterprises with after sales support and services which maintain our long term business relationships.

Since various fluids used in many sectors present different properties such as durability, viscosity, radiance, temperature, pressure, grains, contamination, abrasion, we have designed customized pumps according to each fluid/viscose type and developed and diversified our product range ni line with your requests and requirements. We produce Diaphragm Pumps, Hot Oil Pumps, Gear Pumps, Twin Screw Pumps, Centrifugal Pumps, Vortex Pumps. The pumps we produce with our long years of experience are used in food, textile, paint, cleaning, energy, chemistry sectors.

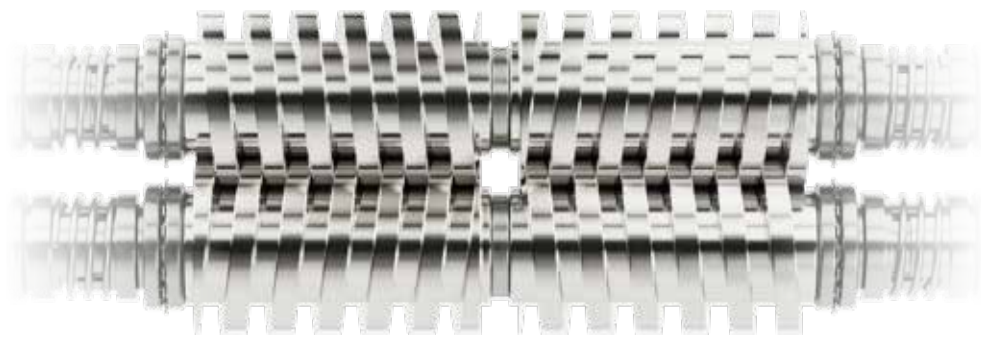
Our company si a pioneer in the production of diaphragm transfer pumps with Vesta Pomp brand. Vesta Pomp products are used in European Union and Middle East countries and CIS countries, and the number of countries that choose us si also increasing year by year. Whereas, this si our quality certificate and one of the most significant factors which also makes us strong, reliable and energetic in the sector.

You may consult us regarding your new pump purchases in order to contribute your company's production quality or request our assistance and support in providing maintenance and increasing efficiency of your pumps. In order for you to safely transfer your fluids through high quality pumps, we are always by your side with our competent and experienced staff.

Our aim is to provide quality products and services to our customers.

PUMPING PRINCIPLE

Vesta Twin Screw Pumps are designed to handle wide variety of lubricating, non-lubricating as well as aggressive liquids. These self-priming pumps perform efficiently even in critical applications irrespective of high temperatures & extreme site conditions.



2

The pumping element comprises of two intermeshing screws rotating within a stationary housing. The pumping elements are supported by the bearings. Pair of timing gears maintain the clearance between the screws. Intermeshing rotating screws in the pump casting and linear form transfer chambers the transfer the fluid axially from the extreme ends to the centre of the casting.



DISTINCTIVE FEATURES AND BENEFITS



Long and trouble-free service life

Due to absence of metal to metal contact between the pumping elements. Pump can even run dry for limited period of time.

No axial thrust

Dual flow of liquid in opposite directions balances the axial thrust.

Higher volumetric efficiency

Due to special double profile of screw flanks.

High cavitation free suction lift

Due to low NPSH requirements.

Self-priming

Due to positive displacement action and being inherently self priming.

Uniform metered flow

Being a positive displacement pump, head developed is independent of speed & the capacity is approximately proportional to speed.

Capable of handling wide variety of fluids

Clear lubricating/non-lubricating as well as aggressive liquids can be handled due to choice of different designs and material of construction.

Safe to operate

Has in-built relief valve designed to bypass excessive pressure developed in the discharge.

ADVANTAGES OF TWIN SCREW PUMPS

- Wide range of applications
- Self-priming
- Pumped capacity proportional to speed
- Compact construction
- Direct drive without speed-reducer possible
- Easy maintenance
- For almost all media and fluids, High viscosities possible
- For high viscosities
- Low pulsations
- Low noise level
- Positive displacement
- Low NPSH



SCOPES OF APPLICATION

- Tank Terminals
- Petrol Chemicals
- Marine
- Iron-Steel Industries
- Textile industries
- Power industries
- Refineries
- Special Applications

MATERIALS OF CONSTRUCTION



Housing Components

Cast Iron, Cast Steel & Stainless Steel

Liner

Cast Iron & Stainless Steel

Screws

Alloy Steel, Nitrided Steel & Stainless Steel

Special Execution

In addition to the above material of construction, Vesta Twin Screw Pumps can also be supplied with pump body in fabricated steel or stainless steel with renewable liners of suitable material.

For slightly abrasive applications, the screws are of Nitrided steel and Liners of Ni-resist steel. These pumps are also available in exotic alloys such as Duplex and Super Duplex.

Skid mounted pumping systems with complete piping and instrumentation arrangement is also available as an option.

SEALING OPTIONS

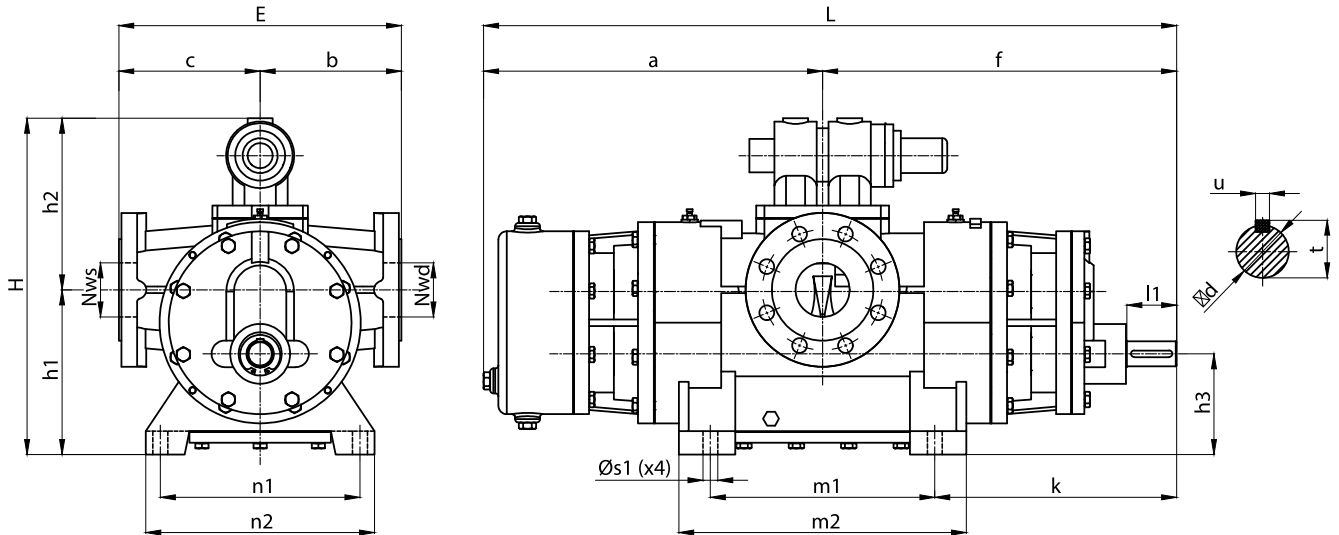
Soft Gland Packings

- Aramid Packing -Implemented with PTFE High Temperature Resists Lubricants
- Lubricated PTFE Yarn Packing
- Graphited Impregnated Glass Yarn Packing
Lubricated with Mineral Oil Lantern Ring is optional

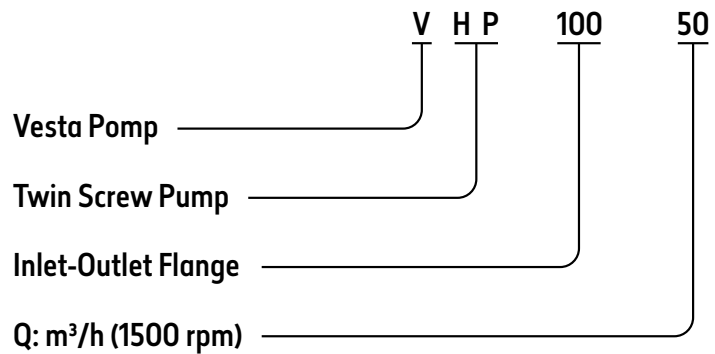
Mechanical Seal

- Single Coil Elastomer Bellow Seals
- Single Coil Unbalanced Unidirectional / Bidirectional
- Lug Driven
- Balanced Seals
- Doubled Seals
- Metal Elbow Seals
- API 682 Compliant Cartridge Seals
- Non API Cartridge Seals
- Various API Flushing & Quenching Plans

DIMENSIONS OF TWIN SCREW PUMPS



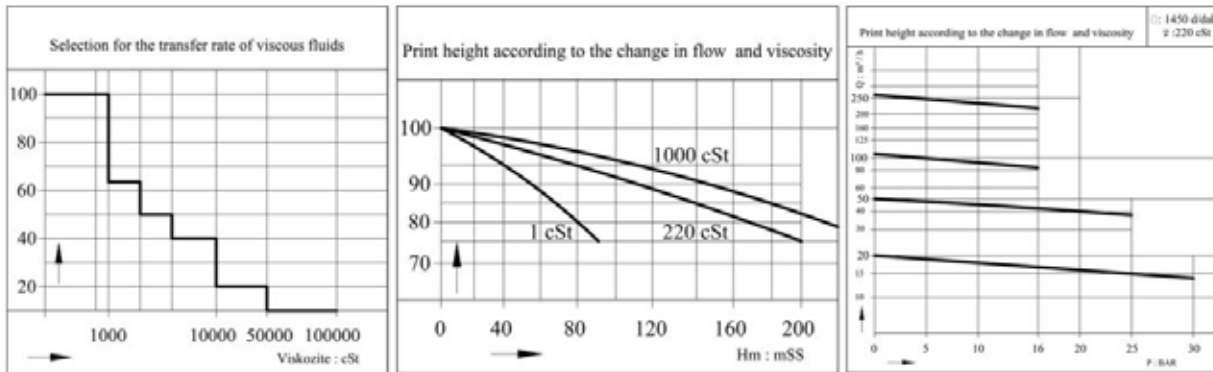
6



PUMP TYPE	OVERALL DIMENSIONS											
	DIN 2501-PN25		a	f	L	H	h1	h2	h3	c	b	E
	Nws	Nwd										
VHP 65.20	65	65	410	430	840	400	198	202	121	175	175	350
VHP 100.50	100	100	515	570	1085	485	220	265	170	205	205	410
VHP 125.100	125	125	580	645	1225	605	260	345	200	250	250	500
VHP 200.250	200	200	820	860	1680	900	400	500	250	335	335	670

PUMP TYPE	SUPPORT & FOOT DIMENSIONS						SHAFT END			
	n1	n2	m1	m2	k	Øs1	Ød	l1	t	u
VHP 65.20	240	275	270	345	295	18	30	60	33	8
VHP 100.50	260	320	360	465	390	18	34	70	37	10
VHP 125.100	350	400	410	520	440	18	42	75	45	12
VHP 200.250	400	450	500	600	550	20	55	90	59	16

TECHNICAL CHARTS

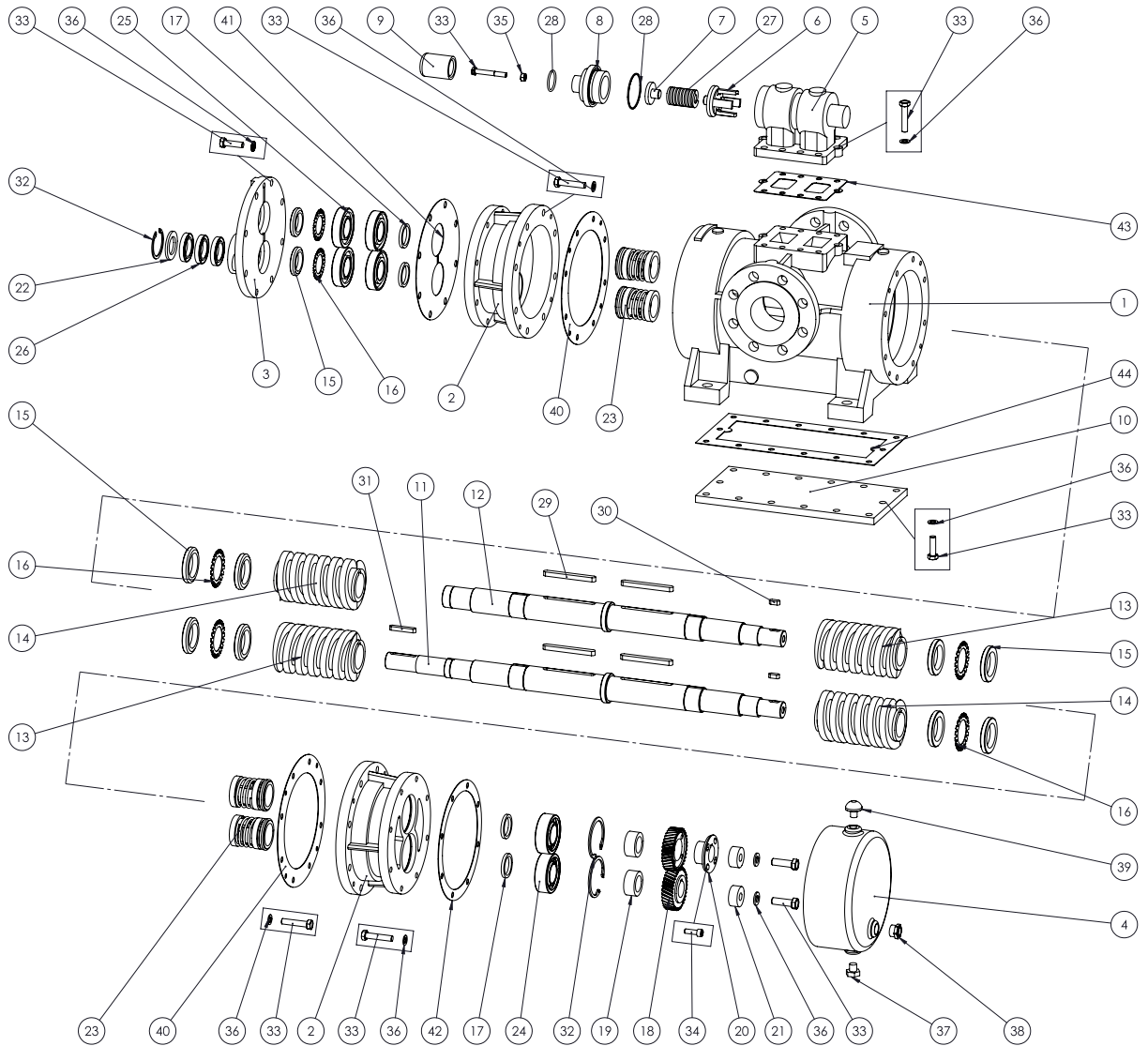


PUMP SELECTION CHART

(1500 d /dak) PUMP SELECTION CHART										
PUMP TYPE	Flow (m ³ /h)	Input Output PN25	Print Height (mSS)							
			30	50	80	120	160	250	300	400
Power According to the Print Height : kw → Viscosity : 220 cSt										
VHP 65.20	10	65	2,2	3	4	7,5	11	15	18,5	22
	20		4	7,5	11	15	18,5	30	37	-
VHP 100.50	30	100	7,5	11	15	22	30	55	-	-
	40		7,5	11	18,5	30	37	75	-	-
	50		11	15	22	37	45			
VHP 125.100	60	125	11	18,5	30	45	55			
	80		15	22	37	55	75			
	100		18,5	30	45	75	90			
VHP 200.250	125	200	22	37	55	90	110			
	160		30	45	75	110	132			
	200		37	55	90	132	180			
	250		45	75	110	180	220			

Note : Determination of the selection of the pump flow rate push for height, viscosity, and suction height must be taken into account. Synchronous speed according to the number of theoretical given flow rates. ± % 5 The difference may

PART LIST



- | | | | |
|----------------------------|--|-------------------------------|-------------------------------------|
| 1 PUMP CASING | 12 IDLER SHAFT | 23 MECHANICAL SEAL | 34 HEX SOCKET HEAD BOLT |
| 2 BEARING COVER | 13 IDLER SCREW (LEFT HELIX) | 24 BEARING (NU) | 35 HEXAGON NUT |
| 3 STUFFING BOX | 14 DRIVE SCREW (RIGHT HELIX) | 25 BEARING(7000) | 36 SPRONG WASHER |
| 4 GEAR BOX COVER | 15 KM TIGHTENING NUT | 26 OIL SEAL | 37 BLIND PLUG |
| 5 BYPASS BODY | 16 KM LOCK WASHER | 27 BY-PASS SPRING | 38 OIL INDICATOR PLUG |
| 6 BY-PASS CLACK | 17 BEARING ADJUSTING WASHER | 28 O-RING | 39 AIR RELIEF COCK |
| 7 SPRING CAP | 18 TIMING GEAR SET | 29 KEY (SCREW) | 40 GASKET(BEARING COVER) |
| 8 BY-PASS ADAPTER | 19 TIMING GEAR ADJUSTING WASHER | 30 KEY(GEARS) | 41 GASKET(STUFFING BOX) |
| 9 BY-PASS CAP | 20 TIMING GEAR ADJUSTING BUSH | 31 KEY(COUPLING) | 42 GASKET(GEAR BOX COVER) |
| 10 LOWER BASE PLATE | 21 TIMING GEAR TIGHTENING RING | 32 HOLE CIRCLIP | 43 GASKET(BY-PASS BODY) |
| 11 DRIVE SHAFT | 22 SEAL THRUST WASHER | 33 HEXAGON HEADED BOLT | 44 GASKET (LOWER BASE PLATE) |

Алматы (7273)495-231
Ангарск (3955)60-70-56
Архангельск (8182)63-90-72
Астрахань (8512)99-46-04
Барнаул (3852)73-04-60
Белгород (4722)40-23-64
Благовещенск (4162)22-76-07
Брянск (4832)59-03-52
Владивосток (423)249-28-31
Владикавказ (8672)28-90-48
Владимир (4922)49-43-18
Вологда (8172)26-41-59
Воронеж (473)204-51-73
Екатеринбург (343)384-55-89
Россия +7(495)268-04-70

Иваново (4932)77-34-06
Ижевск (3412)26-03-58
Иркутск (395)279-98-46
Казань (843)206-01-48
Калининград (4012)72-03-81
Калуга (4842)92-23-67
Кемерово (3842)65-04-62
Киров (8332)68-02-04
Коломна (4966)23-41-49
Кострома (4942)77-07-48
Краснодар (861)203-40-90
Красноярск (391)204-63-61
Курск (4712)77-13-04
Курган (3522)50-90-47
Липецк (4742)52-20-81
Казахстан +7(7172)727-132

Магнитогорск (3519)55-03-13
Москва (495)268-04-70
Мурманск (8152)59-64-93
Набережные Челны (8552)20-53-41
Нижний Новгород (831)429-08-12
Новокузнецк (3843)20-46-81
Ноябрьск (3496)41-32-12
Новосибирск (383)227-86-73
Омск (3812)21-46-40
Орел (4862)44-53-42
Оренбург (3532)37-68-04
Пенза (8412)22-31-16
Петрозаводск (8142)55-98-37
Псков (8112)59-10-37
Пермь (342)205-81-47
Киргизия +996(312)96-26-47

Ростов-на-Дону (863)308-18-15
Рязань (4912)46-61-64
Самара (846)206-03-16
Саранск (8342)22-96-24
Санкт-Петербург (812)309-46-40
Саратов (845)249-38-78
Севастополь (8692)22-31-93
Симферополь (3652)67-13-56
Смоленск (4812)29-41-54
Сочи (862)225-72-31
Ставрополь (8652)20-65-13
Сургут (3462)77-98-35
Сыктывкар (8212)25-95-17
Тамбов (4752)50-40-97
Тверь (4822)63-31-35

Тольятти (8482)63-91-07
Томск (3822)98-41-53
Тула (4872)33-79-87
Тюмень (3452)66-21-18
Ульяновск (8422)24-23-59
Улан-Удэ (3012)59-97-51
Уфа (347)229-48-12
Хабаровск (4212)92-98-04
Чебоксары (8352)28-53-07
Челябинск (351)202-03-61
Череповец (8202)49-02-64
Чита (3022)38-34-83
Якутск (4112)23-90-97
Ярославль (4852)69-52-93

vpo@nt-rt.ru || <https://vestapomp.nt-rt.ru/>