

## TH SKMV BOOSTERS



### General Information

High pressure, quiet running, compact and low power consumption.

SKMV pumps are suitable for pumping non-abrasive, clean or slightly contaminated, low viscosity without solid & fibrous particles liquids.

Vertical structure saves space.

### Technical Data

Capacity	up to 500 m <sup>3</sup> /h
Head	up to 180 m
Operating Temperature	up to 70 °C
Casing Pressure	10-16-25 bar

### Design Features

- TH SKMV boosters are manufactured with vertical pump.
- The boosters are produced as single, double and triple pumps as a standard according to the desired flow. Upon request, up to 6 pumps can be set.
- Single-pump boosters have a water level float (electric floater).
- Phase control system (PCS) is available in single pump, three-phase motorized boosters.
- Sequencing, phase control and liquid level control are standard features for multiple pumped booster pumps.
- Booster pumps can operate in two different modes; automatically and manually.
- Electrical materials used in the booster pump panels are selected from reliable and quality brands.

### Booster Designation

## TH 2 x SKMV 50/3

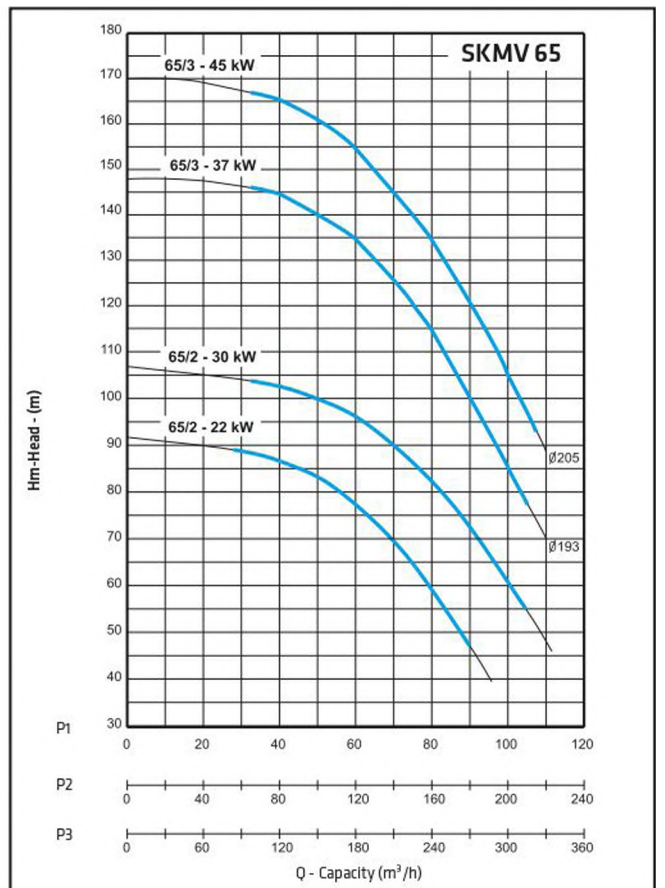
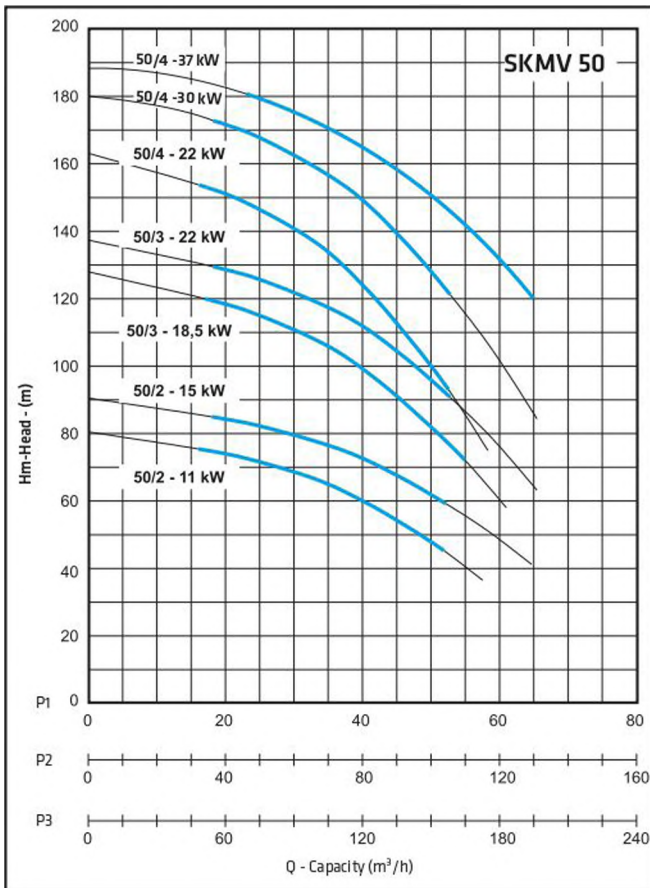
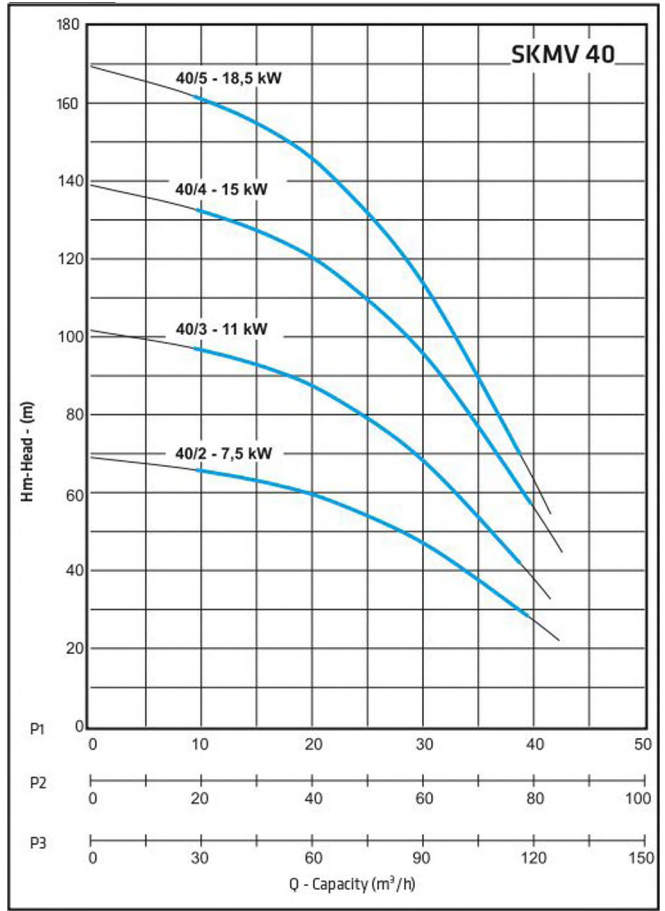
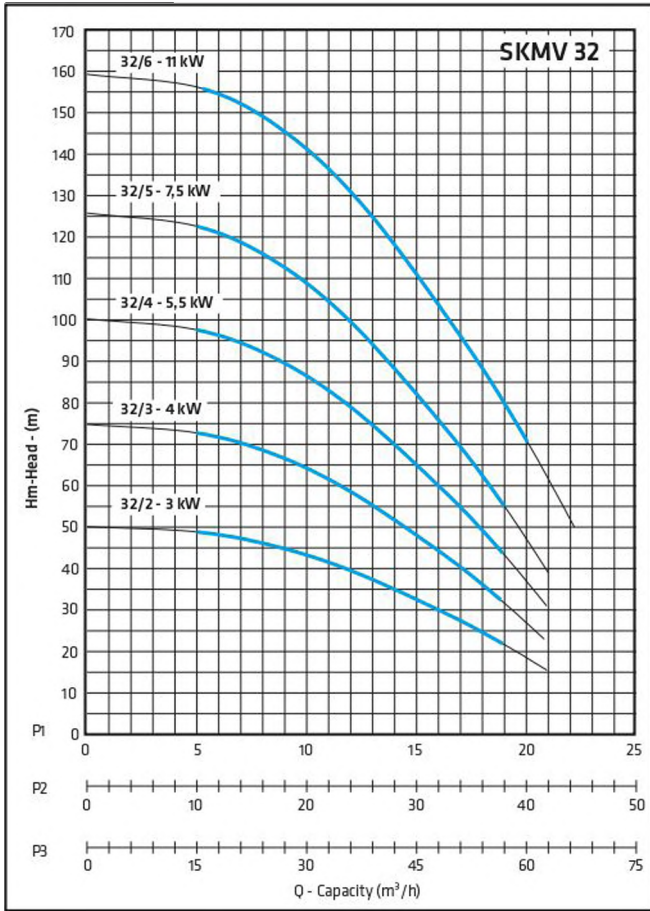
Booster Type	TH
Number of Pumps	2
Pump Type	SKMV
Pump Outlet Flange (DN-mm)	50
Number of Stage	3

- Electric motors of high efficiency class conforming to IEC 60034-30 standard are used.
- The booster pumps can be manufactured as a variable-speed frequency control for convenience. (upon request)

### Material Information

Part Name	Material	
	Standard	Optional
<b>Pump</b>		
Base Plate	GG 25	Bronze / AISI 304
Stage Casing	GG 25	Bronze / AISI 304
Intermediate Stage	GG 25	Bronze / AISI 304
Impeller	Brass	Bronze / AISI 304
Shaft	AISI 420	AISI 304
<b>Panel</b>	Pressure Switch Controlled	Frequency Controlled
<b>Collector</b>	Galvanized Steel	AISI 304
<b>Frame</b>	Fabricated Steel	-
<b>Accessories</b>		
Valve	Brass	AISI 304
Check Valve	Brass	AISI 316

05.2018 / Rev. 2



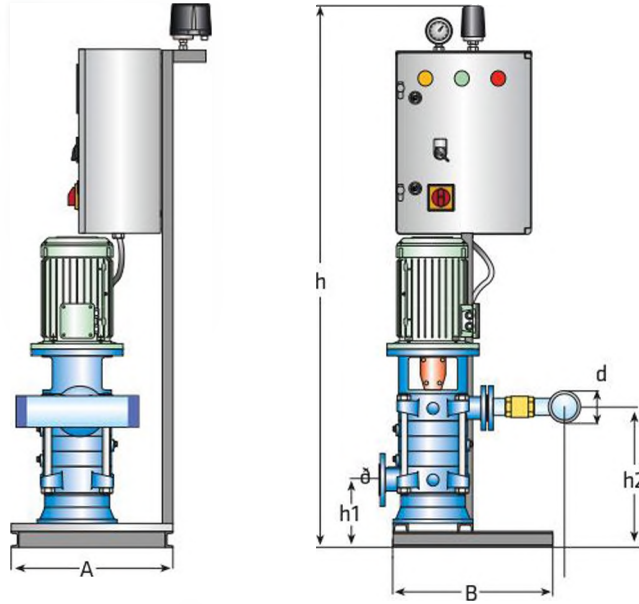
Dimensions

Pump Type	Motor		Dimensions (mm)						
	kW	IEC	A	B	h	d	h1	h2	kg
1 x SKMV 32/2	3	100L	520	350	880	R 2"	145	250	115
1 x SKMV 32/3	4	112M			950			300	180
1 x SKMV 32/4	5.5	132S			1050			345	215
1 x SKMV 32/5	7.5	132S			1100			385	225
1 x SKMV 32/6	11	160M			1200			425	280
2 x SKMV 32/2	3	100L	650	855	1100	R2½"	220	115	235
2 x SKMV 32/3	4	112M			1100			160	365
2 x SKMV 32/4	5.5	132S			1140			200	435
2 x SKMV 32/5	7.5	132S			1140			245	455
2 x SKMV 32/6	11	160M			1365			290	570
3 x SKMV 32/2	3	100L	960	885	1200	R 3"	220	115	340
3 x SKMV 32/3	4	112M			1200			160	540
3 x SKMV 32/4	5.5	132S			1240			200	640
3 x SKMV 32/5	7.5	132S			1340			245	675
3 x SKMV 32/6	11	160M			1440			290	845
1 x SKMV 40/2	7.5	132S	520	350	900	R2½"	145	275	165
1 x SKMV 40/3	11	160M			950			315	200
1 x SKMV 40/4	15	160M			1000			355	225
1 x SKMV 40/5	18.5	160L			1100			395	245
2 x SKMV 40/2	7.5	132S	680	995	1100	R 4"	220	135	350
2 x SKMV 40/3	11	160M			1365			190	425
2 x SKMV 40/4	15	160M			1365			245	465
2 x SKMV 40/5	18.5	160L			1565			300	515
3 x SKMV 40/2	7.5	132S	1030	1015	1100	R 5"	220	135	515
3 x SKMV 40/3	11	160M			1365			190	630
3 x SKMV 40/4	15	160M			1565			245	695
3 x SKMV 40/5	18.5	160L			1565			300	760
1 x SKMV 50/2	11	160M	500	465	1200	R 3"	240	395	235
	15	160M			1200			395	245
1 x SKMV 50/3	18.5	160L			1250			460	275
	22	180M			1250			460	300
1 x SKMV 50/4	22	180M			1300			445	325
	30	200L			1350			445	390
	37	200L			1350			445	390
2 x SKMV 50/2	11	160M			800			1115	1365
	15	160M	1365	155		550			
2 x SKMV 50/3	18.5	160L	1365	220		615			
	22	180M	1365	220		665			
2 x SKMV 50/4	22	180M	1565	285		715			
	30	200L	1565	285		830			
	37	200L	1565	285		830			
3 x SKMV 50/2	11	160M	1200	1150		1380	R 6"		250
	15	160M			1380	155		815	
3 x SKMV 50/3	18.5	160L			1380	220		915	
	22	180M			1380	220		985	
3 x SKMV 50/4	22	180M			1580	285		1060	
	30	200L			1580	285		1220	
	37	200L			1580	285		1220	
1 x SKMV 65/2	22	180M			600	880		780	
	30	200L	780	445			385		
1 x SKMV 65/3	37	200M	600	880	780	R 5"	260	515	420
	45	225L			780			515	515
2 x SKMV 65/2	22	180M	900	1380	1600	R 6"	280	185	705
	30	200L			1600			185	810
2 x SKMV 65/3	37	200M	900	1380	1900	R 6"	280	255	880
	45	225L			1900			255	1030
3 x SKMV 65/2	22	180M	1350	1500	1600	R 8"	290	185	1055
	30	200L			1600			185	1215
3 x SKMV 65/3	37	200M	1350	1500	1900	R 8"	290	255	1320
	45	225L			1900			255	1545

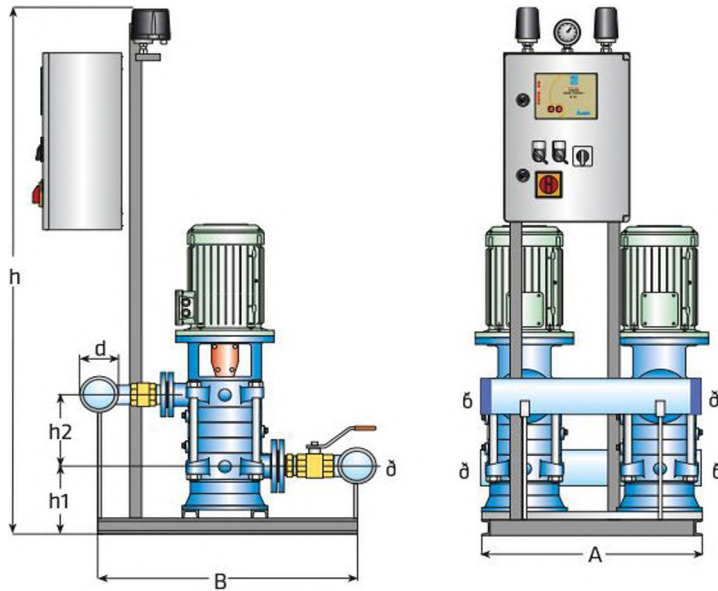
Dimensions might be changed.

Sectional Drawings

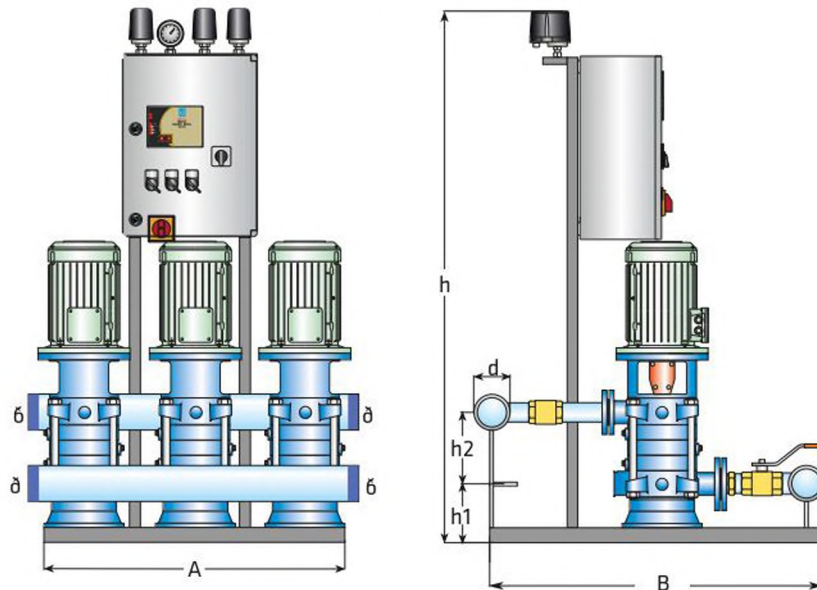
TH SKMV



Design No : D.1



Design No : D.2



Design No : D.3

Алматы (7273)495-231  
Ангарск (3955)60-70-56  
Архангельск (8182)63-90-72  
Астрахань (8512)99-46-04  
Барнаул (3852)73-04-60  
Белгород (4722)40-23-64  
Благовещенск (4162)22-76-07  
Брянск (4832)59-03-52  
Владивосток (423)249-28-31  
Владикавказ (8672)28-90-48  
Владимир (4922)49-43-18  
Волгоград (844)278-03-48  
Вологда (8172)26-41-59  
Воронеж (473)204-51-73  
Екатеринбург (343)384-55-89

Россия +7(495)268-04-70

Иваново (4932)77-34-06  
Ижевск (3412)26-03-58  
Иркутск (395)279-98-46  
Казань (843)206-01-48  
Калининград (4012)72-03-81  
Калуга (4842)92-23-67  
Кемерово (3842)65-04-62  
Киров (8332)68-02-04  
Коломна (4966)23-41-49  
Кострома (4942)77-07-48  
Краснодар (861)203-40-90  
Красноярск (391)204-63-61  
Курск (4712)77-13-04  
Курган (3522)50-90-47  
Липецк (4742)52-20-81

Казахстан +7(7172)727-132

Магнитогорск (3519)55-03-13  
Москва (495)268-04-70  
Мурманск (8152)59-64-93  
Набережные Челны (8552)20-53-41  
Нижний Новгород (831)429-08-12  
Новокузнецк (3843)20-46-81  
Ноябрьск (3496)41-32-12  
Новосибирск (383)227-86-73  
Омск (3812)21-46-40  
Орел (4862)44-53-42  
Оренбург (3532)37-68-04  
Пенза (8412)22-31-16  
Петрозаводск (8142)55-98-37  
Пермь (8112)59-10-37  
Пермь (342)205-81-47

Киргизия +996(312)96-26-47

Ростов-на-Дону (863)308-18-15  
Рязань (4912)46-61-64  
Самара (846)206-03-16  
Саранск (8342)22-96-24  
Санкт-Петербург (812)309-46-40  
Саратов (845)249-38-78  
Севастополь (8692)22-31-93  
Симферополь (3652)67-13-56  
Смоленск (4812)29-41-54  
Сочи (862)225-72-31  
Ставрополь (8652)20-65-13  
Сургут (3462)77-98-35  
Сыктывкар (8212)25-95-17  
Тамбов (4752)50-40-97  
Тверь (4822)63-31-35

Тольятти (8482)63-91-07  
Томск (3822)98-41-53  
Тула (4872)33-79-87  
Тюмень (3452)66-21-18  
Ульяновск (8422)24-23-59  
Улан-Удэ (3012)59-97-51  
Уфа (347)229-48-12  
Хабаровск (4212)92-98-04  
Чебоксары (8352)28-53-07  
Челябинск (351)202-03-61  
Череповец (8202)49-02-64  
Чита (3022)38-34-83  
Якутск (4112)23-90-97  
Ярославль (4852)69-52-93

vpo@nt-rt.ru || <https://vestapomp.nt-rt.ru/>